

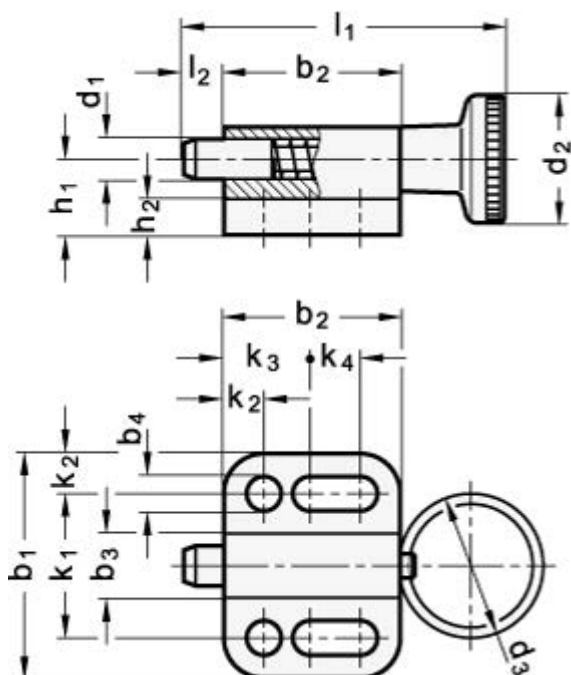
Data Sheet



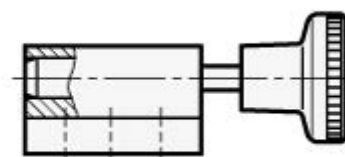
Article number: 204175A

Description: E+G Indexing plunger GN 417-5-A

Measures



Plunger pin retracted



b1 = 28	k1	= 18
b2 = 22	k2	= 5
b3 = 8	k3	= 10
b4 = 4.3	k4	= 7
d1 = 5	l2	= 5
d3 = 18	Springload in N bottom	= 24
h1 = 9.5	Springload in N top	= 5
h2 = 4.5	Weight in (g)	= 22